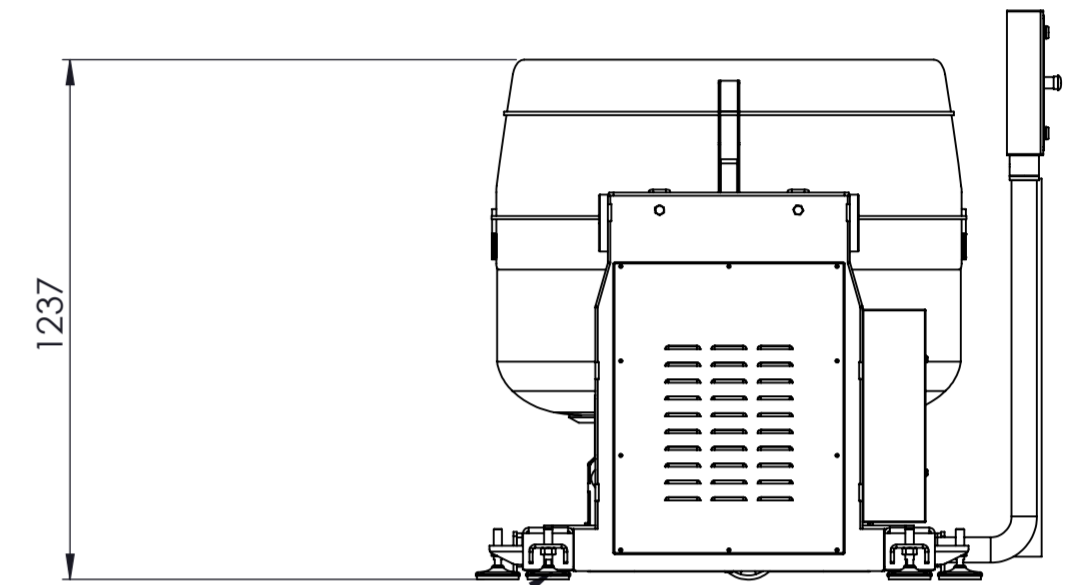
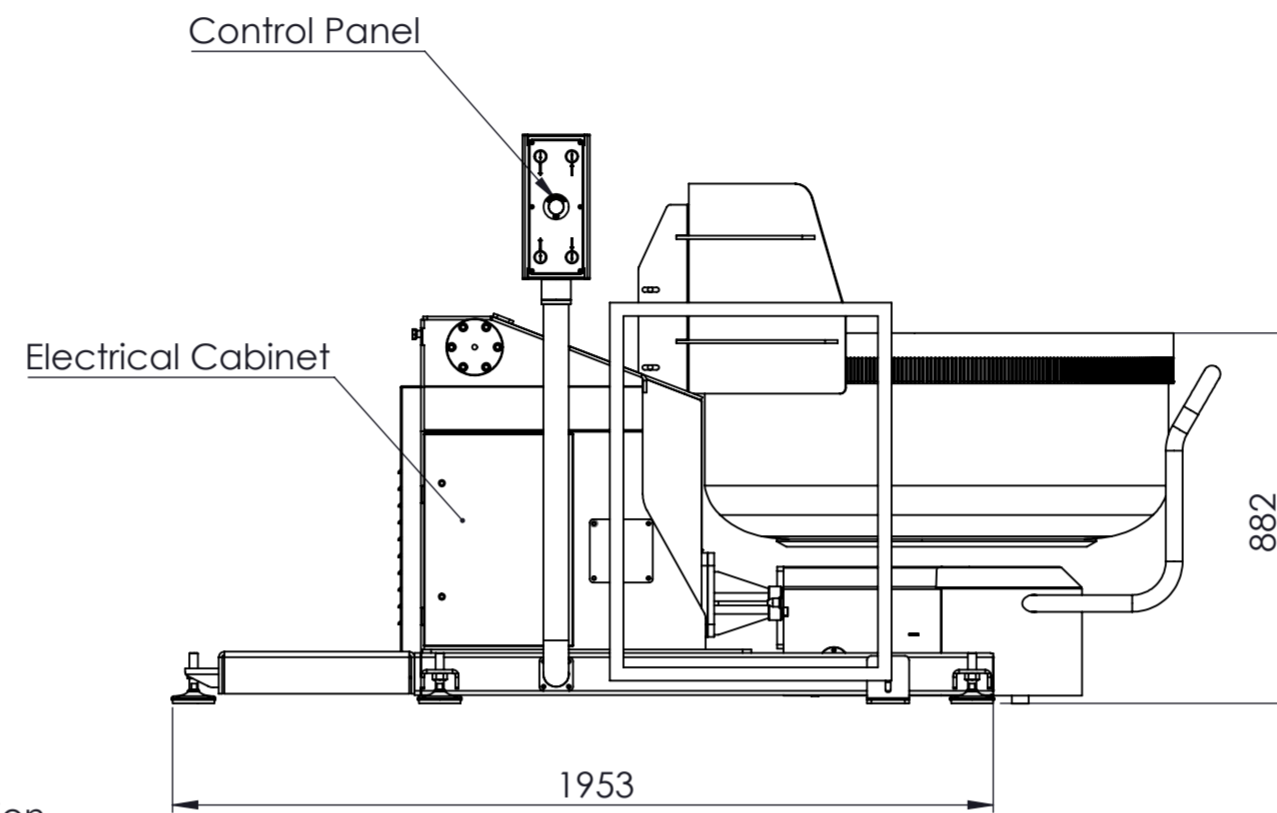
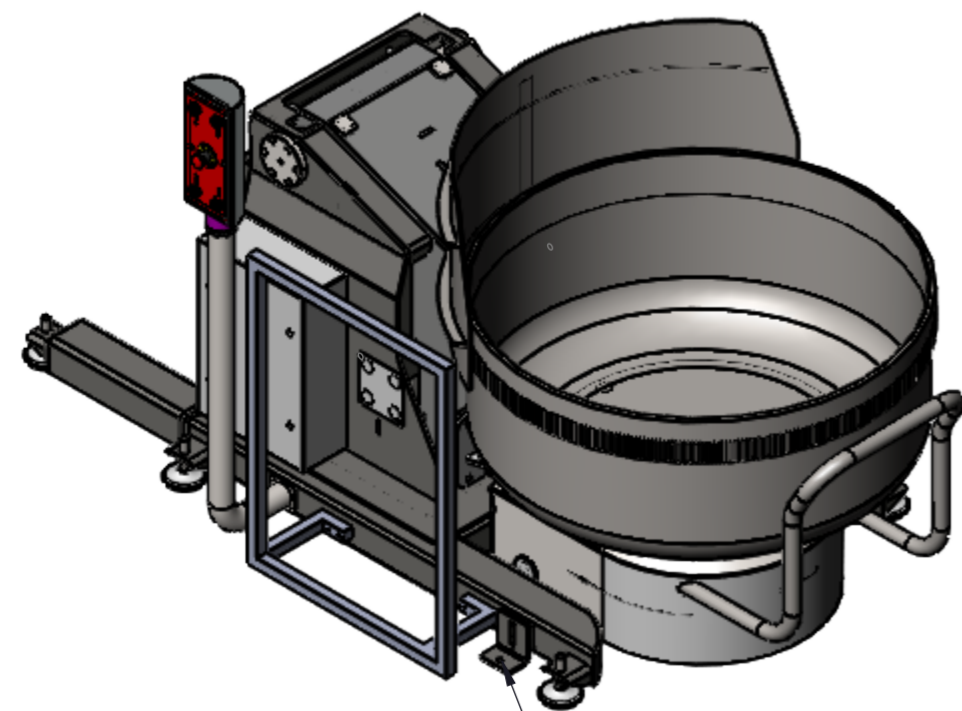


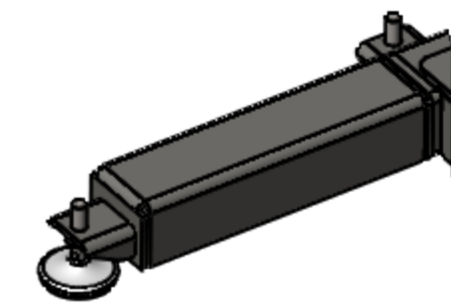
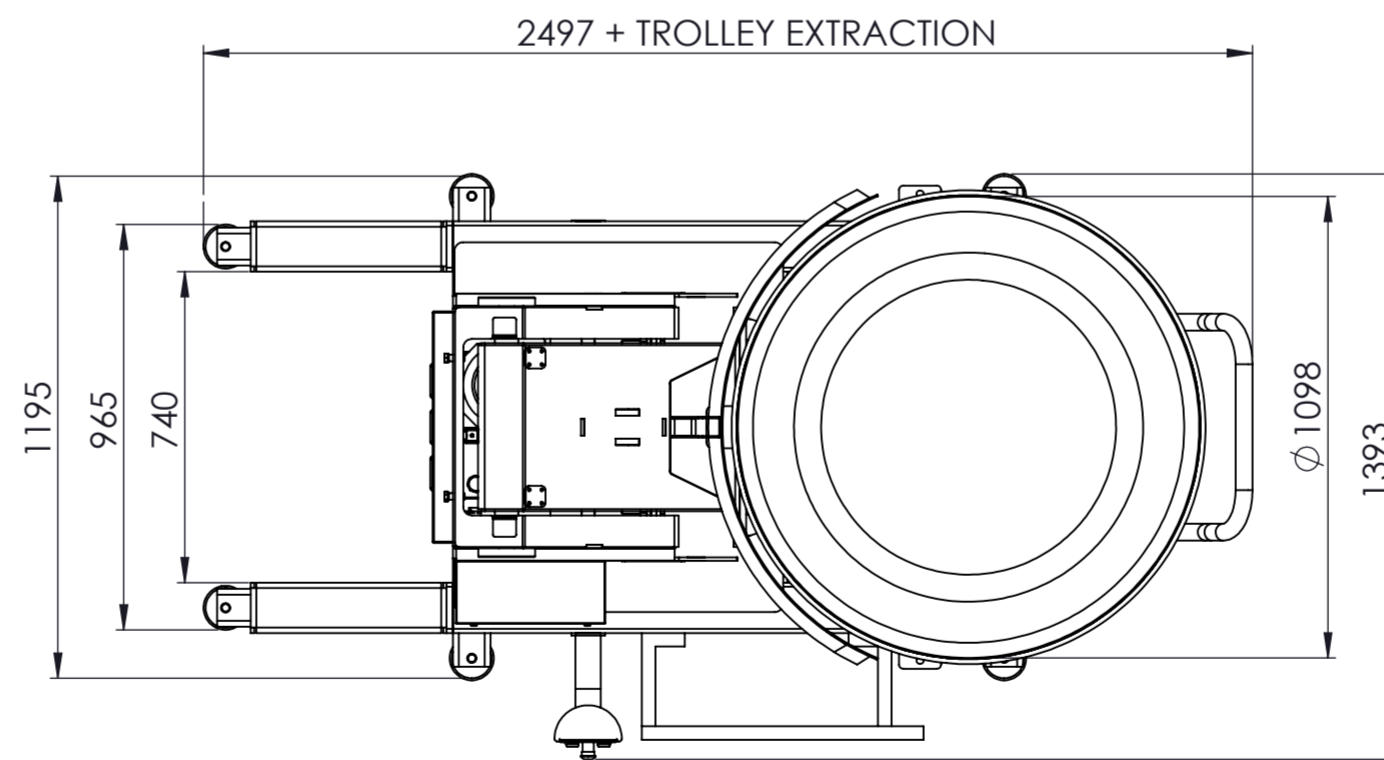
Foot safety protection



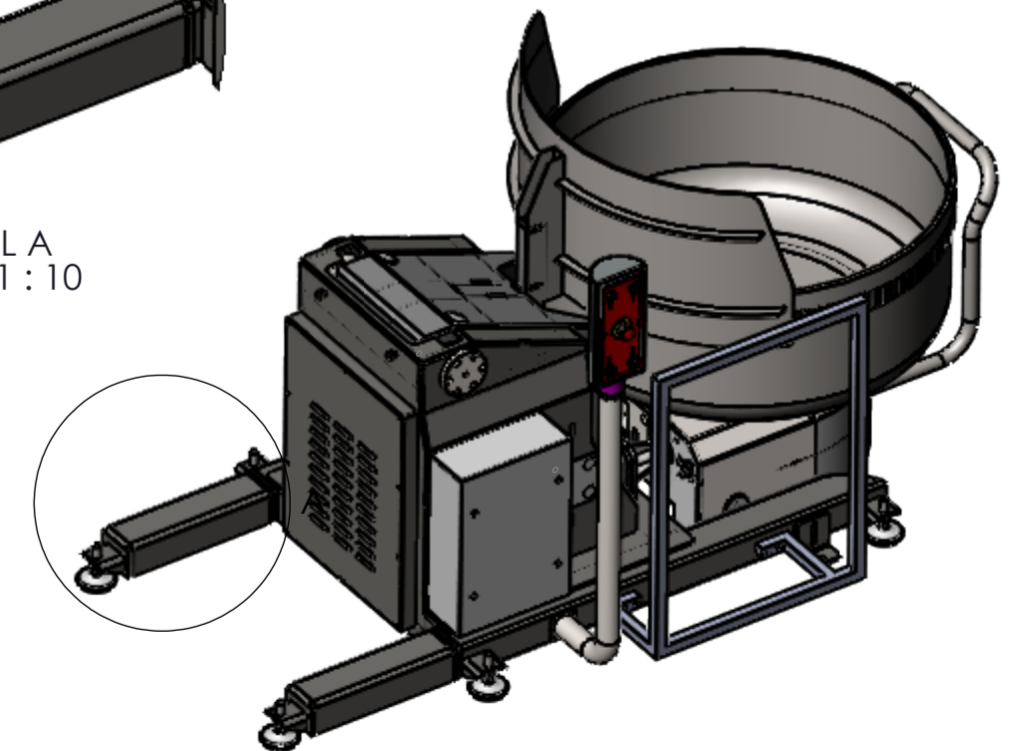
Adjustable feet



**ATTENTION!!!**  
Anchor plates **TO BE FIXED** on the floor with screw M14 for each plate an steel dowels



DETAIL A  
SCALE 1 : 10



REF. / REF	DATA / DATE	DESCRIZIONE DELLA MODIFICA / REVIEW DESCRIPTION	DIS. / DRAW.
			A2

TIPO MACCHINA <b>THOR 1100</b>		MATERIALE / MATERIAL:	TRATTAMENTO SUP./SURF. TREAT.
DENOMINAZIONE / DESCRIPTION: <b>THOR 1100 300KG</b>		FINITURA / FINISHING.:	
DATA / DATE: <b>11/01/2023</b>	PESO / WEIGHT: <b>767.26</b>	SCALA / SCALE: <b>1:18</b>	
DIS. / DRAW: <b>A.O.</b>	N° CODICE/REF. NUMBER:	REV.	
CONTR.:	<b>A.O.</b>	<b>--</b>	
TOLLERANZE GENERALI /GENERAL TOLERANCE UNI EN 22768-1:1996 UNI EN 22768-2:1996			

