



GLASSWASHER GP-40B 230/50/1

Rack size 400x400mm and door clearance 240 mm.

P/N 1303054



WARE WASHING
COMMERCIAL GLASSWASHER · GLASS-PRO LINE

OPTIONAL

- Detergent dosing kit.

ACCESSORIES

- | | |
|--|---|
| <input type="checkbox"/> Manual water softeners | <input type="checkbox"/> High feet kit |
| <input type="checkbox"/> Automatic water softeners | <input type="checkbox"/> Reverse osmosis device OS-140P |
| <input type="checkbox"/> 400X400 mm. baskets | <input type="checkbox"/> Detergent dosing equipment for GP glasswashers |
| <input type="checkbox"/> Inserts & supplements | |

SPECIFICATIONS

Basket dimensions: 400 mm x 400 mm
 Useful height: 240 mm
 Cycle duration: 90 / 120 "
 Production baskets/hour: 45 / 30
 Boiler capacity: 3.2 l
 Wash tank capacity: 15 l
 Water consumption/cycle: 2.2 l

Loading

- ✓ Pump: 250 W / 0.33 Hp
- ✓ Tank: 1200 W
- ✓ Boiler: 2500 W
- ✓ Total loading: 2750 W

Electrical supply: 230 V / 50 Hz / 1 ~ (12 A)
 Electrical connection: --

External dimensions (WxDxH)

- ✓ Width: 470 mm
- ✓ Depth: 535 mm
- ✓ Height: 670 mm

Net weight: 38 Kg
 Noise level (1m.): -- dB(A)

Crated dimensions

525 x 615 x 820 mm
 Gross weight: 44 Kg

SALES DESCRIPTION

Sani-Control guarantee

- ✓ GUARANTEED DISINFECTION in compliance with standard DIN 10534.
- ✓ THERMAL LOCK function: Ensures that rinsing will be carried out at the ideal temperature to disinfect the dishes.
- ✓ Upper and lower washing.
- ✓ Construction in stainless steel AISI 304 2B.
- ✓ Interior with rounded finishes to prevent the accumulation of dirt.

Double filter system

- ✓ Maximum protection of the washing pump.

Double-walled door

- ✓ Double-walled door, safety microswitch and high quality seal: perfectly soundproof and watertight.

Warewashing, made simple

- ✓ GP Xperience: simple and intuitive use.
- ✓ Dedicated cycles: selection of the ideal washing programme using icons.
- ✓ Electronic control panel with IP65 humidity protection.
- ✓ 100% Tested.

Tech-friendly

- ✓ Tool-free extraction of diffusers and filters for maintenance and cleaning
- ✓ Easy access to components for repair.

INCLUDES

- | | |
|---|-------------------------------|
| ✓ Overflow drainage pump. Tank water renewal by the principle of density. | ✓ 1 glasses basket. |
| ✓ Rinse aid pump. | ✓ 1 mixed basket (plates). |
| | ✓ 1 small basket for cutlery. |





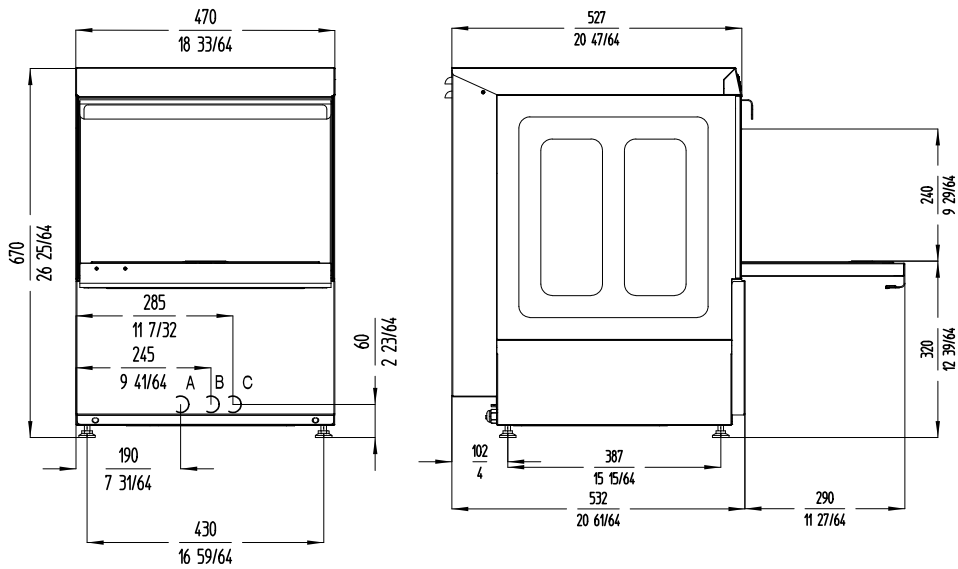
GLASSWASHER GP-40B 230/50/1

Rack size 400x400mm and door clearance 240 mm.

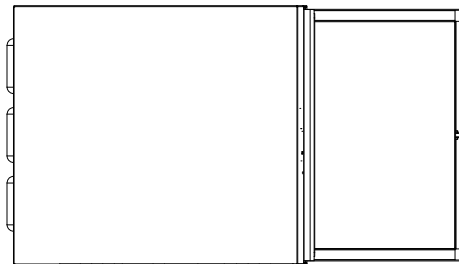
P/N 1303054



WARE WASHING
COMMERCIAL GLASSWASHER · GLASS-PRO LINE



A: Entrada de agua 3/4" GAS.
B: Tubo de desague Ø30 mm
C: Cable conexión



sammic | www.sammic.com
Food Service Equipment Manufacturer

Polígono Basarte, 1. phone +34 943 15 72 36
20720 Azkoitia, Spain sales@sammic.com



| | |
|----------|------|
| Project | Date |
| Item | Qty |
| Approved | |

product sheet
updated 06/06/2023