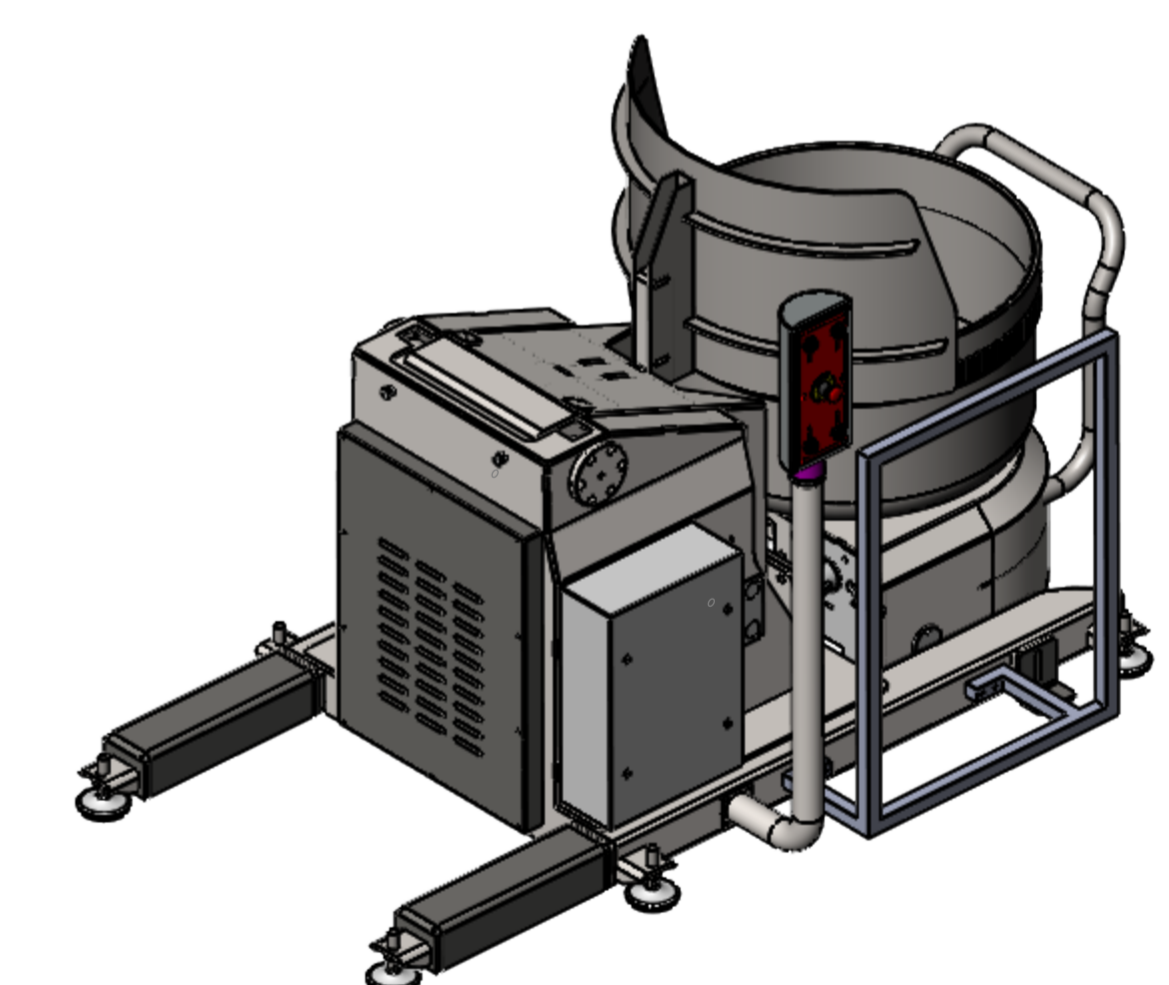


Anchor plate
TO BE FIXED
on the floor with
screw M14
for each plate
and steel dowels



TIPO MACCHINA THOR 1100 120kg		MATERIALE / MATERIAL:	TRATTAMENTO SUP./SURF. TREAT.
DENOMINAZIONE / DESCRIPTION:		FINITURA. / FINISHING.:	
DATA / DATE: 10/06/2019	PESO / WEIGHT:	SCALA / SCALE: 1:15	
DIS. / DRAW: A.O.	N° CODICE/REF. NUMBER:		REV.
CONTR.:	THOR 1100		
TOLLERANZE GENERALI / GENERAL TOLERANCE UNI EN 22768-1:1996 UNI EN 22768-2:1996			



REF. / REF.	DATA / DATE	DESCRIZIONE DELLA MODIFICA / REVIEW DESCRIPTION	DIS. / DRAW.	A2
-------------	-------------	---	--------------	-----------