



# GLASSWASHER AX-40B 230/50/1 DD

Rack size 400 mm x 400 mm and door clearance 300 mm.

P/N 1303090



WARE WASHING  
COMMERCIAL GLASSWASHERS

## SALES DESCRIPTION

Sani-Control: guaranteed disinfection  
Embedded bodywork and easy-grip door: hygienic and ergonomic  
Exclusive Hydroblade™ washing arms: maximum effectiveness.  
3-stage filtering system.  
Double-walled body (partial).

### Sani-Control guarantee

- ✓ GUARANTEED DISINFECTION in compliance with standard DIN 10534.
- ✓ THERMAL LOCK function: Ensures that rinsing will be carried out at the ideal temperature to disinfect the dishes.

### New recessed bodywork

- ✓ Ergonomic design with rounded corners to prevent the accumulation of dirt and facilitate cleaning.
- ✓ Compact tank volume (50% water saving compared to the previous range).
- ✓ Embedded basket guides

### Hydroblade™ washing arms

- ✓ Redesigned nozzles for greater washing performance.
- ✓ The “monoblock” design delivers durability and resistance to impacts.
- ✓ 30% savings in water consumption during rinsing compared to the previous range.

### 3-stage filter system: surface, tank and extraction

- ✓ Keeps the washing water in optimal conditions to maintain constant washing performance.
- ✓ The surface filters feature an “easy-on” design and can be quickly removed without having to disconnect the washing arms.

### “Easy grip” door: new design with integrated door handle

- ✓ The integration of the components provides greater resistance and robustness.
- ✓ Designed to have no corners or areas that are difficult to access: prevents deposits of dirt and facilitates cleaning.
- ✓ Its ergonomic handle provides a perfect grip, even with wet hands.
- ✓ Double-walled door with safety microswitch and high quality seal
- ✓ 30 cm load capacity: high versatility for washing a wide range of glasses and even medium-sized dishes.

### Warewashing, made simple

- ✓ Active Xperience: simple and intuitive use
- ✓ Dedicated cycles: selection of the ideal washing programme using icons.
- ✓ Electronic control panel with IP65 humidity protection.

### You will never WASH ALONE

- ✓ Tech-Services: our team of technicians will help you so that your machine is always ready for use.
- ✓ Design Services: tell us what your needs are and we will advise you.
- ✓ 60 years of experience and know-how at your disposal.

## INCLUDES

- ✓ Detergent doser.
- ✓ Rinse aid pump.
- ✓ Overflow drainage pump. Tank water renewal by the principle of density.
- ✓ 1 glasses basket.
- ✓ 1 mixed basket (plates).
- ✓ 1 small basket for cutlery.

## OPTIONAL

- Double-level accessory for washing two baskets at the same time.

## ACCESSORIES

- Manual water softeners
- Automatic water softeners
- 400X400 mm. baskets
- Inserts & supplements
- High feet kit
- Reverse osmosis device OS-140P
- Stand for 400x400 mm glasswashers
- Double rack kits for AX/UX

## SPECIFICATIONS

Basket dimensions: 400 mm x 400 mm  
Maximum glass height: 300 mm

Cycle duration: 120/150/210 (por defecto) - 90/120/180 (opcional) “  
Production baskets/hour: 40 / 30 / 20

Boiler capacity: 3.2 l  
Wash tank capacity: 9 l  
Water consumption/cycle: 2.2 l

### Loading

- ✓ Pump: 250 W / 0.33 Hp
- ✓ Tank: 1200 W
- ✓ Boiler: 2500 W
- ✓ Total loading: 2750 W

Electrical supply: 230 V / 50 Hz / 1 ~ (12 A)  
Electrical connection: 2P+G

### External dimensions (WxDxH)

- ✓ Width: 470 mm
- ✓ Depth: 537 mm
- ✓ Height: 710 mm





# GLASSWASHER AX-40B 230/50/1 DD

Rack size 400 mm x 400 mm and door clearance 300 mm.



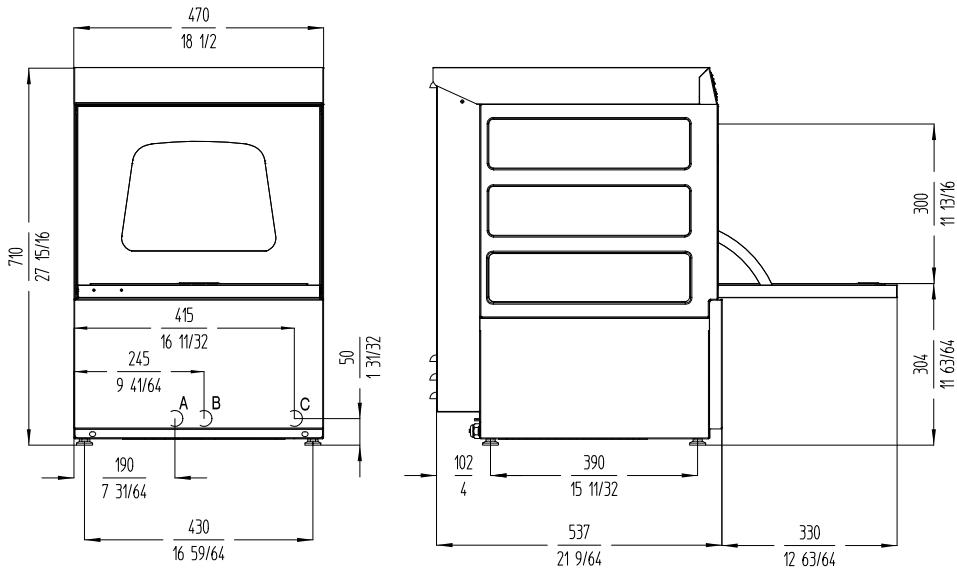
P/N 1303090

Net weight: 37.5 Kg  
Noise level (1m.): <69 dB(A)

525 x 615 x 820 mm  
Gross weight: 43.5 Kg

### Crated dimensions

WARE WASHING  
COMMERCIAL GLASSWASHERS



A: Entrada de agua 3/4" GAS.  
B: Tubo de desague Ø30 mm.  
C: Cable conexión.

**sammic** | www.sammic.com  
Food Service Equipment Manufacturer

Polígono Basarte, 1. phone +34 943 15 72 36  
20720 Azkoitia, Spain sales@sammic.com



Project	Date
Item	Qty
Approved	

product sheet  
updated 24/11/2022