



# DISHWASHER UX-120S 400/50/3N DD

Rack size 500x500mm and door clearance 430 mm. Double-skinned hood.

P/N 1303391



WARE WASHING  
PASS-THROUGH DISHWASHERS

## SALES DESCRIPTION

Sani-Control: guaranteed disinfection  
Double-walled hood: insulation and energy efficiency  
Exclusive Hydroblade™ washing arms: maximum effectiveness.  
3-stage filtering system.

### Sani-Control guarantee

- ✓ GUARANTEED DISINFECTION in compliance with standard DIN 10534.
- ✓ THERMAL LOCK function: Ensures that rinsing will be carried out at the ideal temperature to disinfect the dishes.

### New recessed bodywork

- ✓ Ergonomic design with rounded corners to prevent the accumulation of dirt and facilitate cleaning.
- ✓ Compact tank volume (50% water saving compared to the previous range).

### Double-Walled (Ultra ISO)

- ✓ Double-Walled Structure: thermo-acoustic insulation to attenuate the sound level and improve energy efficiency

### Hydroblade™ washing arms

- ✓ Redesigned nozzles for greater washing performance.
- ✓ The “monoblock” design delivers durability and resistance to impacts.
- ✓ 30% savings in water consumption during rinsing compared to the previous range.

### 3-stage filter system: surface, tank and extraction

- ✓ Keeps the washing water in optimal conditions to maintain constant washing performance.

### Designed to last

- ✓ “Flow” opening mechanism: allows the hood to be raised with less effort
- ✓ High load capacity 43 cm: suitable for GN 1/1 and Euronorm

- ✓ Stainless steel surface filters for greater stability and resistance during intensive use

### Premium warewashing

- ✓ Soft start: progressive start-up of the washing pump to protect fragile items.
- ✓ Colour LCD Display: intuitive communication of the machine status by means of messages, colour codes and icons.
- ✓ Dedicated cycles: selection of the ideal washing programme using icons.
- ✓ Adaptable: allows the main parameters of the machine to be adjusted to the needs of each user.
- ✓ TEMPERATURE DISPLAY
- ✓ Wash Plus+ function: increases the intensity of the wash cycle for greater cleaning performance
- ✓ Control panel with IP65 humidity protection.

### You will never WASH ALONE

- ✓ Tech-Services: our team of technicians will help you so that your machine is always ready for use.
- ✓ Design Services: tell us what your needs are and we will advise you.
- ✓ 60 years of experience and know-how at your disposal.

## INCLUDES

- ✓ Rinse aid pump.
- ✓ Detergent Dispenser
- ✓ 1 glasses basket.
- ✓ 1 mixed basket (plates).
- ✓ 1 cutlery basket.

## OPTIONAL

- .

## ACCESSORIES

- Tables for dishwashers P/X/S (pass-through model)
- Manual water softeners
- Automatic water softeners
- 500 x 500 mm. baskets
- Inserts & supplements
- Central sorting tables
- Double connection central
- sorting table
- Prewashing tables for pass-through and rack conveyor dishwashers
- Connecting tables for Pass-Through dishwashers and rack conveyors
- Reverse Osmosis device OS-140P

## SPECIFICATIONS

Basket dimensions: 500 mm x 500 mm  
Maximum glass height: 430 mm

Cycles: 6  
Cycle duration: 60/90/100/150/210 “  
Production baskets/hour: 60/40/36/24/17

Boiler capacity: 12 l  
Wash tank capacity: 25 l

### Consumption and savings

- ✓ Water consumption/cycle: 3 l
- ✓ Automatic saving mode in: 25 ‘
- ✓ Automatic switch-off: 120 ‘

### Loading

Pump: 1000 W / 1.3 Hp

Tank: 2500 W

Boiler: 9000 W

Total loading: 10000 W

Electrical supply: 400 V / 50 Hz / 3N ~ (16 A)





# DISHWASHER UX-120S 400/50/3N DD

Rack size 500x500mm and door clearance 430 mm. Double-skinned hood.



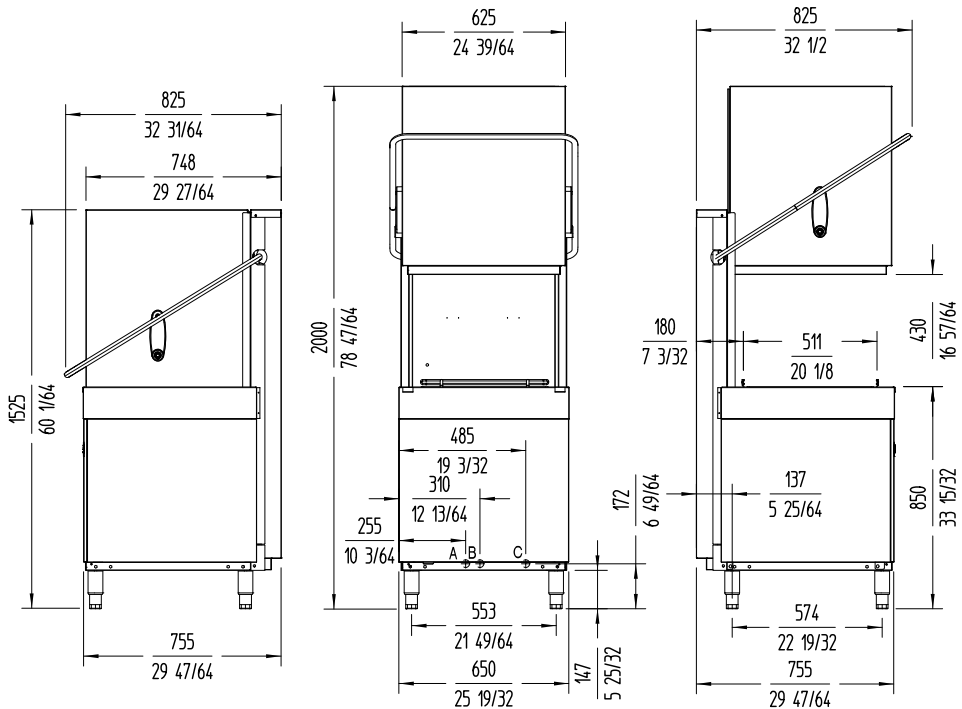
P/N 1303391

## External dimensions (WxDxH)

- ✓ Width: 650 mm (: -- mm)
  - ✓ Depth: 755 mm (: -- mm)
  - ✓ Height: 2000 mm / 1520 mm
- Net weight: 116 Kg  
Wash temperature: -- °C

Rinse temperature: 87 °C  
Net weight: 116 Kg  
Noise level (1m.): <70 dB(A)

**Crated dimensions**  
760 x 860 x 1960 mm  
Gross weight: 127 Kg



A: Entrada de agua 3/4" GAS.  
B: Tubo de desagüe ø30 mm.  
C: Cable conexión.

WARE WASHING  
PASS-THROUGH DISHWASHERS

**sammic** | www.sammic.com  
Food Service Equipment Manufacturer

Polígono Basarte, 1. phone +34 943 15 72 36  
20720 Azkoitia, Spain sales@sammic.com



Project	Date
Item	Qty
Approved	

product sheet  
updated 22/02/2022