



DISHWASHER UX-100 400/50/3N DD

Rack size 500x500mm and door clearance 430 mm.



P/N 1303322



WARE WASHING
PASS-THROUGH DISHWASHERS

SALES DESCRIPTION

- ✓ Sani-Control: guaranteed disinfection.
- ✓ Exclusive Hydroblade™ washing arms: maximum effectiveness.
- ✓ 3-stage filtering system.

Sani-Control guarantee

- ✓ GUARANTEED DISINFECTION in compliance with standard DIN 10534.
- ✓ THERMAL LOCK function: Ensures that rinsing will be carried out at the ideal temperature to disinfect the dishes.

New recessed bodywork

- ✓ Ergonomic design with rounded corners to prevent the accumulation of dirt and facilitate cleaning.
- ✓ Compact tank volume (50% water saving compared to the previous range).

Hydroblade™ washing arms

- ✓ Redesigned nozzles for greater washing performance.
- ✓ The “monoblock” design delivers durability and resistance to impacts.
- ✓ 30% savings in water consumption during rinsing compared to the previous range.

3-stage filter system: surface, tank and extraction

- ✓ Keeps the washing water in optimal conditions to maintain constant washing performance.

Designed to last

- ✓ “Flow” opening mechanism: allows the hood to be raised with less effort.
- ✓ High load capacity 43 cm: suitable for GN 1/1 and Euronorm.
- ✓ Stainless steel surface filters for greater stability and resistance during intensive use.

Premium warewashing

- ✓ Soft start: progressive start-up of the washing pump to protect fragile items.
- ✓ Colour LCD Display: intuitive communication of the machine status by means of messages, colour codes and icons.
- ✓ Dedicated cycles: selection of the ideal washing programme using icons.
- ✓ Adaptable: allows the main parameters of the machine to be adjusted to the needs of each user.
- ✓ TEMPERATURE DISPLAY
- ✓ Wash Plus+ function: increases the intensity of the wash cycle for greater cleaning performance
- ✓ Control panel with IP65 humidity protection.

You will never WASH ALONE

- ✓ Tech-Services: our team of technicians will help you so that your machine is always ready for use.
- ✓ Design Services: tell us what your needs are and we will advise you.
- ✓ 60 years of experience and know-how at your disposal.

INCLUDES

- ✓ Detergent dispenser..
- ✓ 1 mixed basket (plates).
- ✓ 1 glasses basket.
- ✓ 1 cutlery basket.

ACCESSORIES

- Tables for dishwashers P/X/S (pass-through model)
- Manual water softeners
- Automatic water softeners
- 500 x 500 mm. baskets
- Inserts & supplements
- Central sorting tables
- Double connection central sorting table
- Prewashing tables for pass-through and rack conveyor dishwashers
- Connecting tables for Pass-Through dishwashers and rack conveyors
- Reverse Osmosis device OS-140P
- Dosing equipments



sammic | www.sammic.com
Food Service Equipment Manufacturer

Polígono Basarte, 1. phone +34 943 15 72 36
20720 Azkoitia, Spain sales@sammic.com



Project	Date
Item	Qty
Approved	

product sheet
updated 21/12/2021



DISHWASHER UX-100 400/50/3N DD

Rack size 500x500mm and door clearance 430 mm.



WARE WASHING
PASS-THROUGH DISHWASHERS

SPECIFICATIONS

Basket dimensions: 500 mm x 500 mm
 Maximum glass height: 430 mm
 Cycles: 6
 Cycle duration: 60/90/100/150/210 "
 Production baskets/hour: 60/40/36/24/17
 Boiler capacity: 8 l
 Wash tank capacity: 25 l

Consumption and savings

- ✓ Water consumption/cycle: 3 l
- ✓ Automatic saving mode in: 25 '
- ✓ Automatic switch-off: 120 '

Loading

- ✓ Pump: 750 W / 1 Hp
- ✓ Tank: 2500 W
- ✓ Boiler: 7500 W
- ✓ Total loading: 8250 W

Electrical supply: 400 V / 50 Hz / 3N ~ (14 A)

External dimensions (WxDxH)

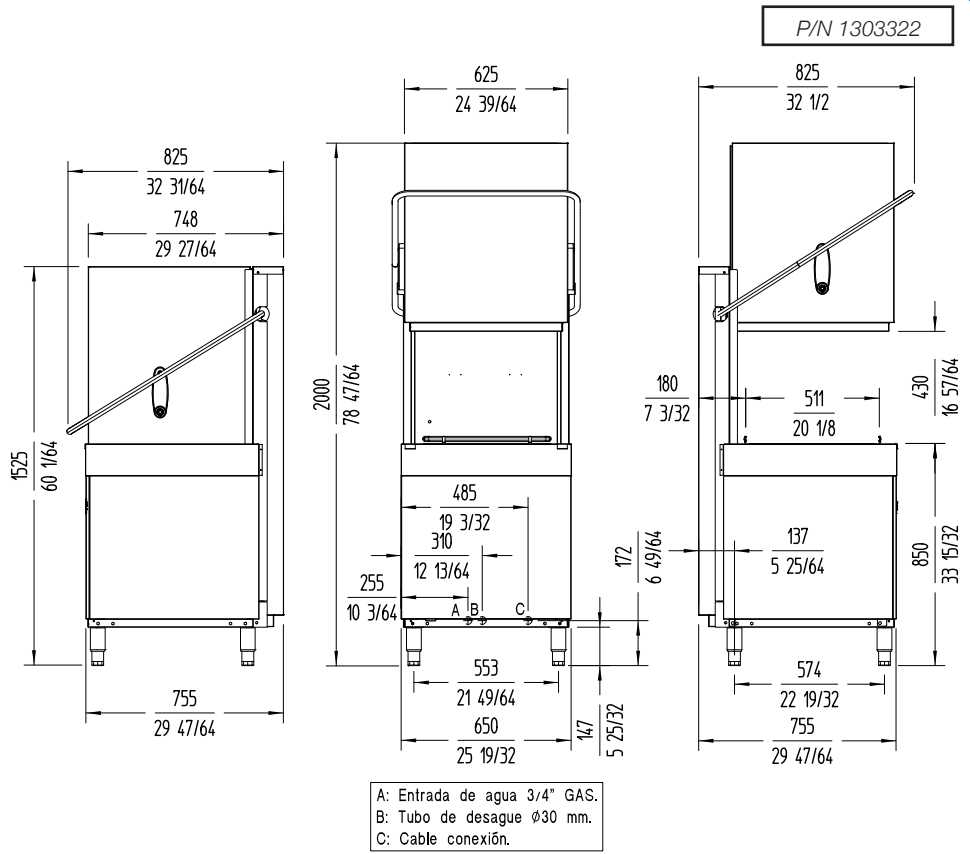
- ✓ Width: 648 mm (: -- mm)
- ✓ Depth: 756 mm (: -- mm)
- ✓ Height: 2000 mm / 1510 mm

Net weight: 102 Kg

Wash temperature: 65 °C
 Rinse temperature: 87 °C
 Noise level (1m.): <70 dB(A)

Crated dimensions

760 x 860 x 1960 mm
 Gross weight: 113 Kg.



sammic | www.sammic.com
 Food Service Equipment Manufacturer

Polígono Basarte, 1. phone +34 943 15 72 36
 20720 Azkoitia, Spain sales@sammic.com



Project	Date
Item	Qty
Approved	

product sheet
updated 21/12/2021