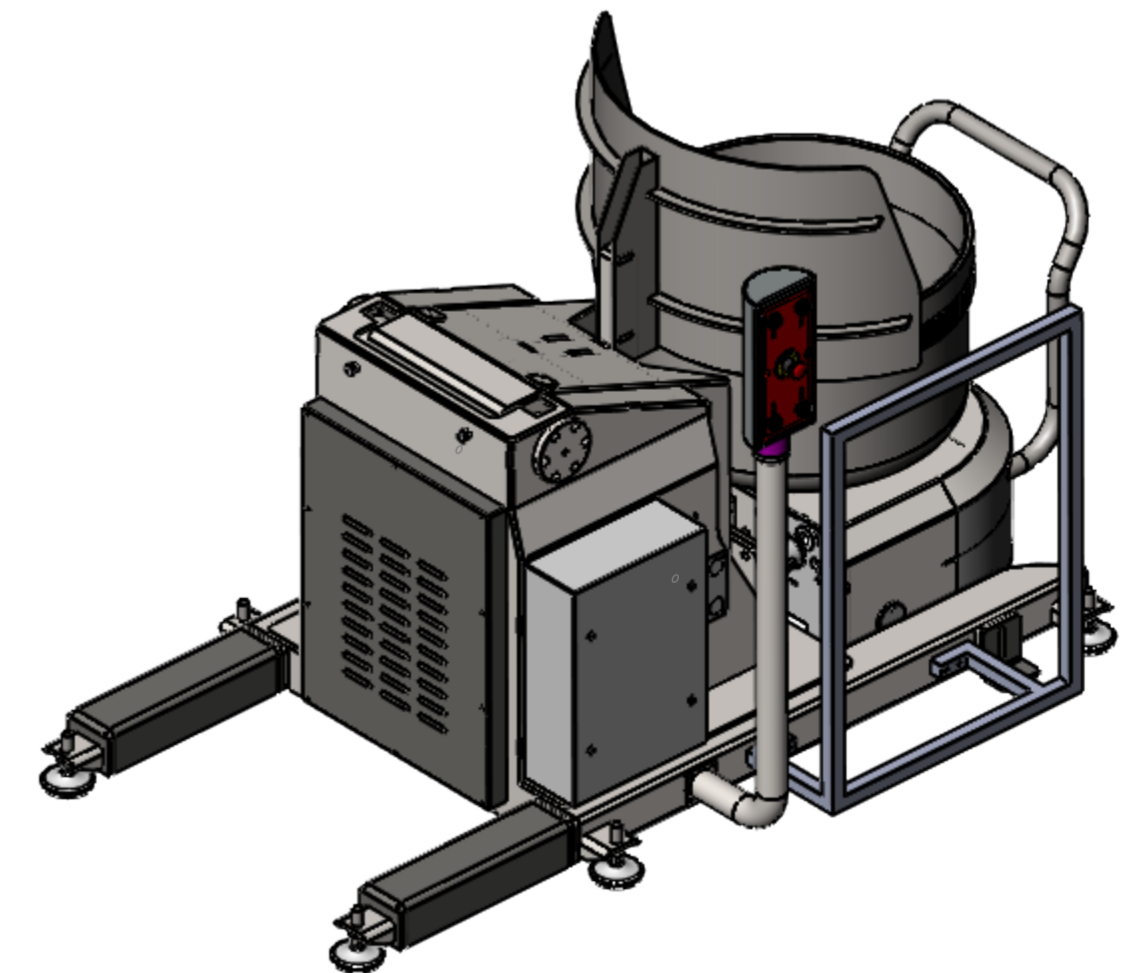
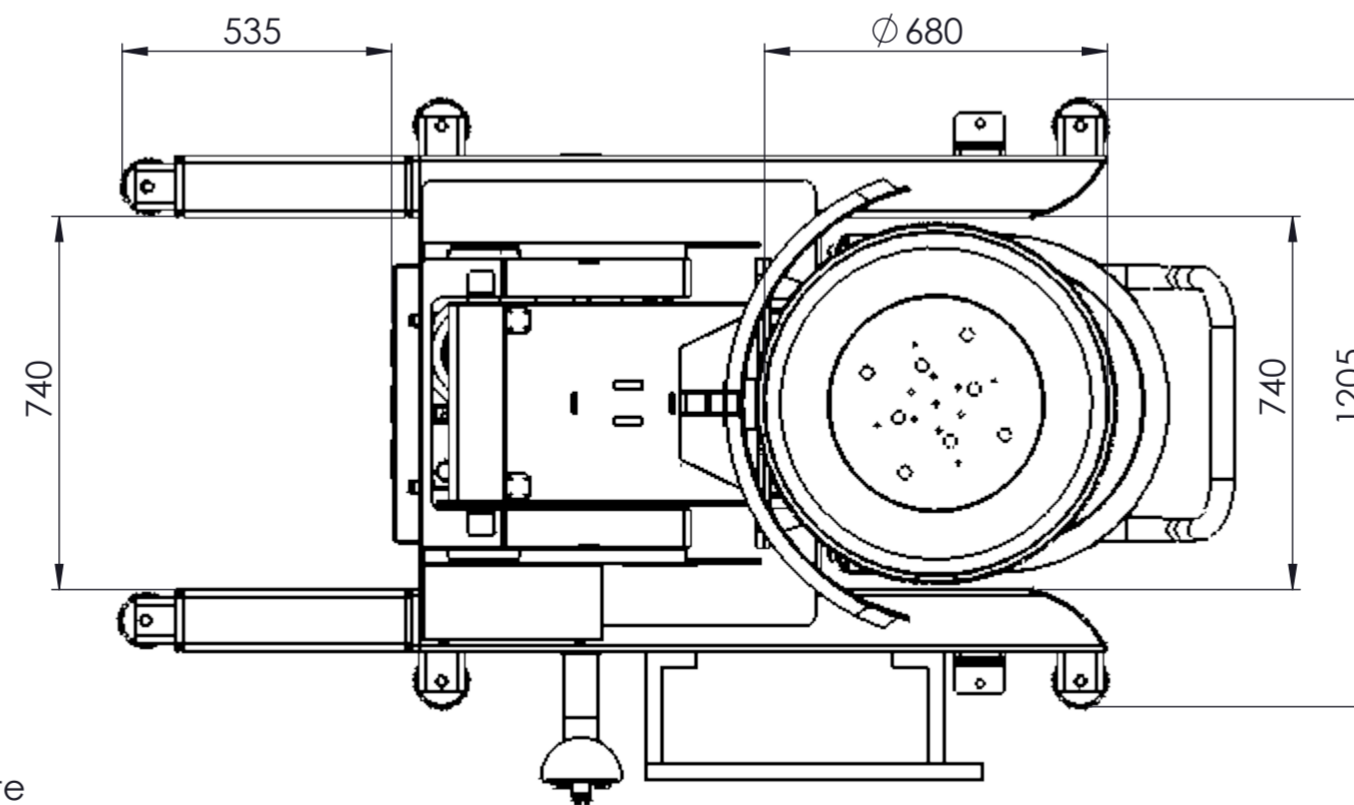


Anchor plate  
**TO BE FIXED** on  
the floor with  
screw M14  
for each plate  
and steel dowels



REF. / REF.	DATA / DATE	DESCRIZIONE DELLA MODIFICA / REVIEW DESCRIPTION	DIS. / DRAW.
			<b>A2</b>

TIPO MACCHINA <b>THOR 1100 80Kg</b>		MATERIALE / MATERIAL:	TRATTAMENTO SUP./SURF. TREAT.
DENOMINAZIONE / DESCRIPTION:		FINITURA. / FINISHING.:	
DATA / DATE: <b>10/06/2019</b>	PESO / WEIGHT:	SCALA / SCALE: <b>1:15</b>	
DIS. / DRAW: <b>A.O.</b>	N° CODICE/REF. NUMBER: <b>THOR 1100</b>		REV.
CONTR.:	<b>A.O.</b>		
TOLLERANZE GENERALI / GENERAL TOLERANCE UNI EN 22768-1:1996 UNI EN 22768-2:1996			

