



GLASSWASHER GP-35B 230/50/1 DD

Rack size 350x350mm and door clearance 240 mm.

P/N 1303037



WARE WASHING
COMMERCIAL GLASSWASHER - GLASS-PRO LINE

OPTIONAL

□ .

ACCESSORIES

- Manual water softeners
- Automatic water softeners
- 350X350 mm. baskets
- Inserts & supplements
- High Feet Kit
- Reverse Osmosis device OS-140P

SPECIFICATIONS

Basket dimensions: 350 mm x 350 mm
 Maximum glass height: 240 mm
 Cycle duration: 90 / 120 "
 Production baskets/hour: 45 / 30
 Boiler capacity: 3.2 l
 Wash tank capacity: 12.7 l
 Water consumption/cycle: 2.2 l

Loading

- ✓ Pump: 75 W / 0.1 Hp
 - ✓ Tank: 1200 W
 - ✓ Boiler: 2500 W
 - ✓ Total loading: 2575 W
- Electrical supply: 230 V / 50 Hz / 1 ~ (11.2 A)
 Electrical connection: 2P+G

External dimensions (WxDxH)

- ✓ Width: 420 mm
 - ✓ Depth: 495 mm
 - ✓ Height: 645 mm
- Net weight: 31 Kg
 Noise level (1m.): -- dB(A)

Crated dimensions

485 x 590 x 690 mm
 Gross weight: 34 Kg

SALES DESCRIPTION

Sani-Control guarantee

- ✓ GUARANTEED DISINFECTION in compliance with standard DIN 10534.
- ✓ THERMAL LOCK function: Ensures that rinsing will be carried out at the ideal temperature to disinfect the dishes.
- ✓ Upper and lower washing.
- ✓ Construction in stainless steel AISI 304 2B.
- ✓ Interior with rounded finishes to prevent the accumulation of dirt.

Double filter system

- ✓ Maximum protection of the washing pump.

Double-walled door

- ✓ Double-walled door, safety microswitch and high quality seal: perfectly soundproof and watertight.

Warewashing, made simple

- ✓ GP Xperience: simple and intuitive use.
- ✓ Dedicated cycles: selection of the ideal washing programme using icons.
- ✓ Electronic control panel with IP65 humidity protection.
- ✓ 100% Tested.

Tech-friendly

- ✓ Tool-free extraction of diffusers and filters for maintenance and cleaning
- ✓ Easy access to components for repair.

INCLUDES

- ✓ Detergent Dispenser.
- ✓ Rinse aid pump.
- ✓ Overflow drainage pump. Tank water renewal by the principle of density.
- ✓ 1 glasses basket.
- ✓ 1 mixed basket (plates).
- ✓ 1 small basket for cutlery.





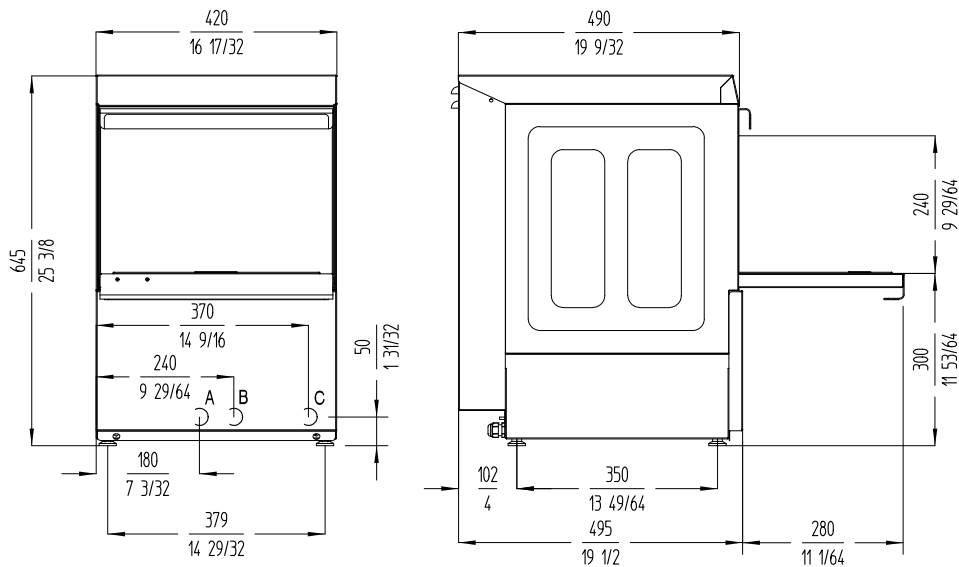
GLASSWASHER GP-35B 230/50/1 DD

Rack size 350x350mm and door clearance 240 mm.

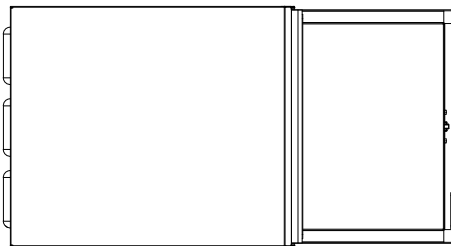
P/N 1303037



WARE WASHING
COMMERCIAL GLASSWASHER - GLASS-PRO LINE



A: Entrada de agua 3/4" GAS.
B: Tubo de desague ϕ 30 mm.
C: Cable conexión.



sammic | www.sammic.com
Food Service Equipment Manufacturer

Polígono Basarte, 1. phone +34 943 15 72 36
20720 Azkoitia, Spain sales@sammic.com



Project	Date
Item	Qty
Approved	

product sheet
updated 19/10/2022